

# MegaPlex

## ASSEMBLY INSTRUCTIONS



# PARTS/HARDWARE LIST

Number of Parts	Part Description	Quantity
1	Top Beam	1
2	Upper Beam Armrest	2
3	Universal Holster-650	2
4	Reefer Stop Ring	2
5	Put the condom on-100	2
6	Sharp flying handlebar end cap	2
7	Upper Beam Assembly	1
8	Sliding sleeve	2
9	Slide Bar	4
10	Left and right sliding sleeve fixed plate frame	One each
11	Slide-Sleeve Plate	2
12	B Shaped Wire Wheel Box	2
13	95 Wire Wheel	4
14	Spool Axle-32	18
15	Elastic Collar for Shaft 37	4
16	Deep Groove Ball Bearing 61805	4 (Stop Ring)
17	Handle End Cap	4
18	Slip-Sleeve Handle	2
19	Universal Holster- 186	2
20	Sliding Pin	2
21	Seat Pin Spring	2
22	Sliding Bushing	2
23	Pin Handle	3
24	Left and Right Slide Line Wheel Assembly	One each
25	Bobbin Sleeve	2
26	Elastic Retaining Ring for Holes 40	10
27	Linear Bearing 25UU	6

**Please take the time to carefully read the instruction manual before starting the process of assembling your machine. If you have any inquiries or complications, please call us at 662-GYM-BROS, or email us at info@gymbrofitness.com.**

**Ensure to tighten all nuts and bolts, lubricate any sliding parts, bearings, and moving mechanisms. We also suggest applying Loctite or any kind of thread locking adhesive to anything that does not thread into a Teflon nut. It is also important to ensure that every movement arm is properly aligned prior to frequent use, and that the machine that you are assembling is fully functional.**

<b>Table of Contents</b>	<b>Page Numbers</b>
Parts/Hardware List	3 - 8
Upper Bean Assembly	9
Slide Reel Assembly	10
Linear Bearing Assembly	11
Left and Right Safety Handle Assembly	12
Universal Sleeve Assembly	13
Guide Head	14
Barbell Assembly	15
Left and Right Support Frame (Top) Assembly	16
Left and Right Support Frame (Lower) Assembly	17
Landmine Attachment Assembly	18
Dip Bar Assembly	19
Left and Right Side Rack Assembly	20
Integrated Assembly	21
Final Product	22

## PARTS/HARDWARE LIST CONTINUED

Number of Parts	Part Description	Quantity
28	Linear Bearing Assembly	2
29	Left and Right Safety Grips	One each
30	Axle Sleeve	2
31	Safety Handlebar End Cap	2
32	Left and Right Safety Handlebar Assemblies	One each
33	Universal Sleeve End Cap-2	4
34	Universal Sleeve-1	4
35	Telescopic Rod	4
36	Universal Sleeve End Cap-1	4
37	Universal Sleeve Assembly	4
38	Universal Guide Block	2
39	Universal Center Bar II (18 holes)	2
40	Elastic Cylindrical Pin with Universal Guide Block	2
41	105 Branch Wheel Box	2
42	105 Reel	14
43	Universal Guide Sleeve	4
44	Elastic collar for Shaft 32	6
45	Guide head	2
46	Barbell lever	1
47	Deep Groove Ball Bearing 6006	4
48	Left Fixing Sleeve of Barbell Lever	1
49	Bar Right Fixing Sleeve	1
50	Barbell Sleeve Coupling	2
51	Universal Sleeve-3	2
52	Bar Support Sleeve	2
53	End Cap of Barbell Sleeve	2
54	Deep Groove Ball Bearing 6001ZZ	4

## PARTS/HARDWARE LIST CONTINUED

Number of Parts	Part Description	Quantity
55	Spool axle-10	2
56	32 End Cap	2
57	Bar Limit Pin	2
58	Bar Limit Sleeve	2
59	Elastic Collar for Shaft 20	4
60	Barbell Assembly	1
61	Left and Right Support Frame (Top)	One each
62	Support Plate ( 45x235 )	2
63	Support Plate ( 45x180 )	6
64	Support Plate ( 25x180 )	2
65	Support Plate ( 45x80 )	4
66	Support Plate ( 45x50 )	2
67	Left and Right Support Frame (Top) Assembly	One each
68	Left and Right Support Frame (Bottom)	One each
69	Metal Backing Plate of Support Frame	2
70	Support Plate ( 45x120 )	4
71	Support Plate ( 25x120 )	4
72	Left and Right Support Frame (Lower) Assembly	One each
73	Barrel Support	1
74	PULL OUT PIN	1
75	Pin Spring	1
76	Pin Bush Bolt	1
77	Barrel Mount	1
78	Barrel Spindle	1
79	Barrel Socket	1
80	Deep Groove Ball Bearing 6004	2
81	Plastic Gasket	2

## PARTS/HARDWARE LIST CONTINUED

Number of Parts	Part Description	Quantity
82	Spool Axle-58	1
83	Barrel Assembly	1
84	Parallel Bars	1
85	Set the Stop Ring-50	2
86	Universal Holster-50x380	2
87	Handle End Cap-50	2
88	Parallel Bars Assembly	1
89	Left and Right Side Rack	One each
90	Bird Pole	2
91	Slide Bar Adjusting Plate	2 sets
92	Cable Assembly-1	2
93	Universal Stop Sleeve	4
94	Smith	2
95	Smith Pole	2
96	Slide Rod Rubber Pad	4
97	Slide Rod End Cap	2
98	Branch Assembly	2
99	Cable Assembly-2	2
100	Smith Counterweight	2
101	Half-Circle Set Ball	4
102	Left Side Rack Assembly	1
103	Right Side Bracket Assembly	1
104	Pipe Sleeve	4
105	Foot Pedal	1
106	Connecting Frame	1
107	Trestle	2
108	Trestle 3	2

## PARTS/HARDWARE LIST CONTINUED

Number of Parts	Part Description	Quantity
109	Counterweight Rubber Pad	4
110	Counterweight Guide Rod	4
111	Universal Counterweight	36
112	Counterweight Spacer	72
113	Elastic Collar for Shaft 30	4
114	Guide Rod Bushing	4
115	Guide Rod End Sleeve	4
116	Counterweight Bolt	2
117	Shield Holder	26
118	Shield Plate-1	2
119	Shield Plate-2	2
120	Sleeve Plate	2
121	Hook Plate	2
122	Hook Bar	8
123	Handle	2
124	Flat Washer 8	24
125	Flat Washer 10	67
126	Flat Washer 12	2
127	Spring Washer 8	12
128	Spring Washer 10	38
129	Spring Washer 12	8
130	Hexagon Socket Set Screws M5x5	24
131	Hexagon Socket Set Screws M8x12	4
132	Hexagon Socket Head Screws M6x8 (Steel Pipe for Internal Counterweight ONLY)	12
133	Hexagon Socket Head Screws M6x16	64
134	Hexagon Socket Head Screws M8x16	2

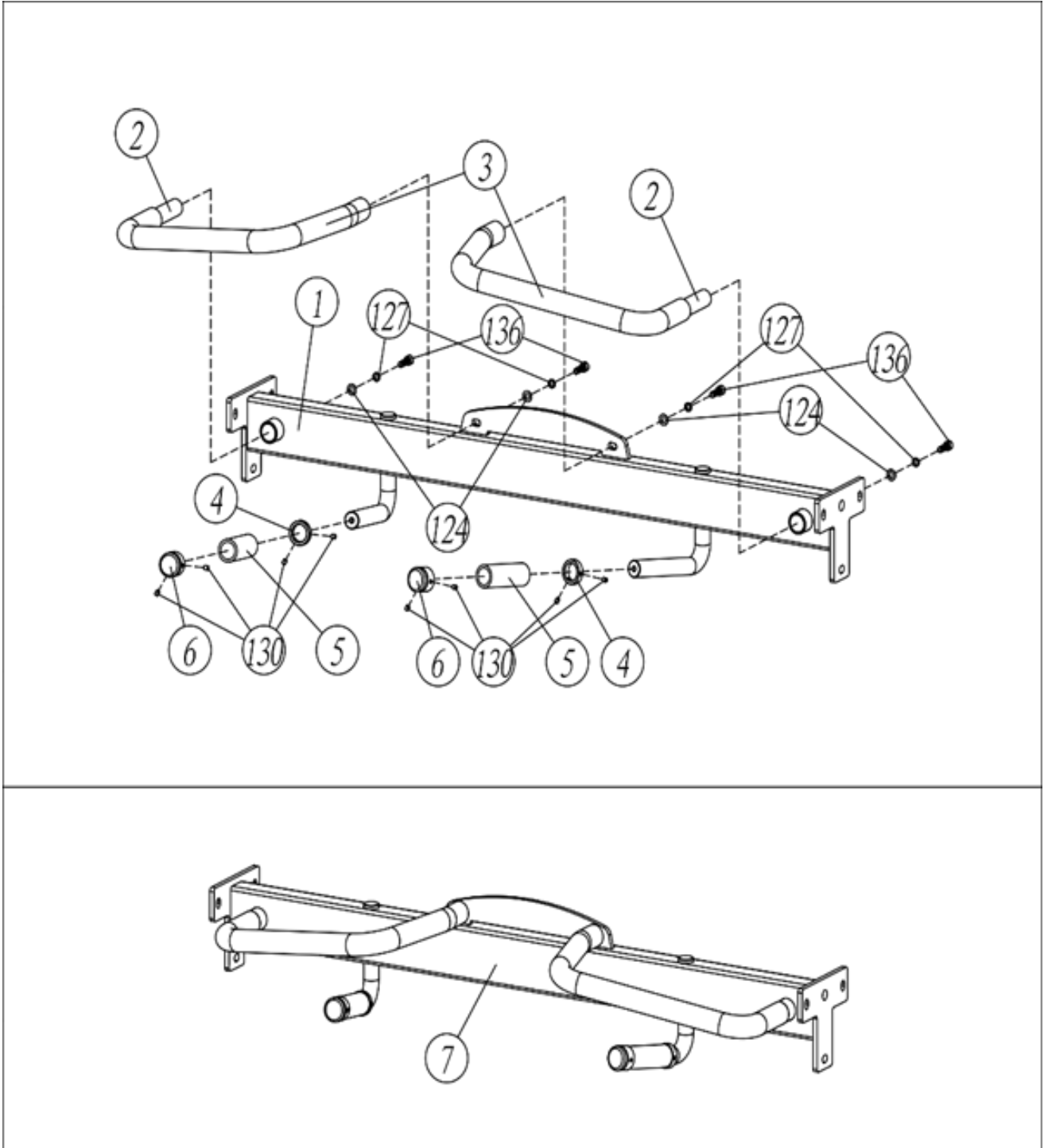
## PARTS/HARDWARE LIST CONTINUED

<b>Number of Parts</b>	<b>Part Description</b>	<b>Quantity</b>
135	Hexagon Socket Head Screws M8x20	18
136	Hexagon Socket Head Screws M8x25	4
137	Hexagon Socket Head Screws M10x16	6
138	Hexagon Socket Head Screws M10x20	14
139	Hexagon Socket Head Screws M10x25	30
140	Hexagon Socket Head Screws M10x130	4
141	Hexagon Socket Head Screws M12x25	8
142	Hexagon Socket Head Screws M8x10	52
143	Hexagon Self-Locking Nut M10	23



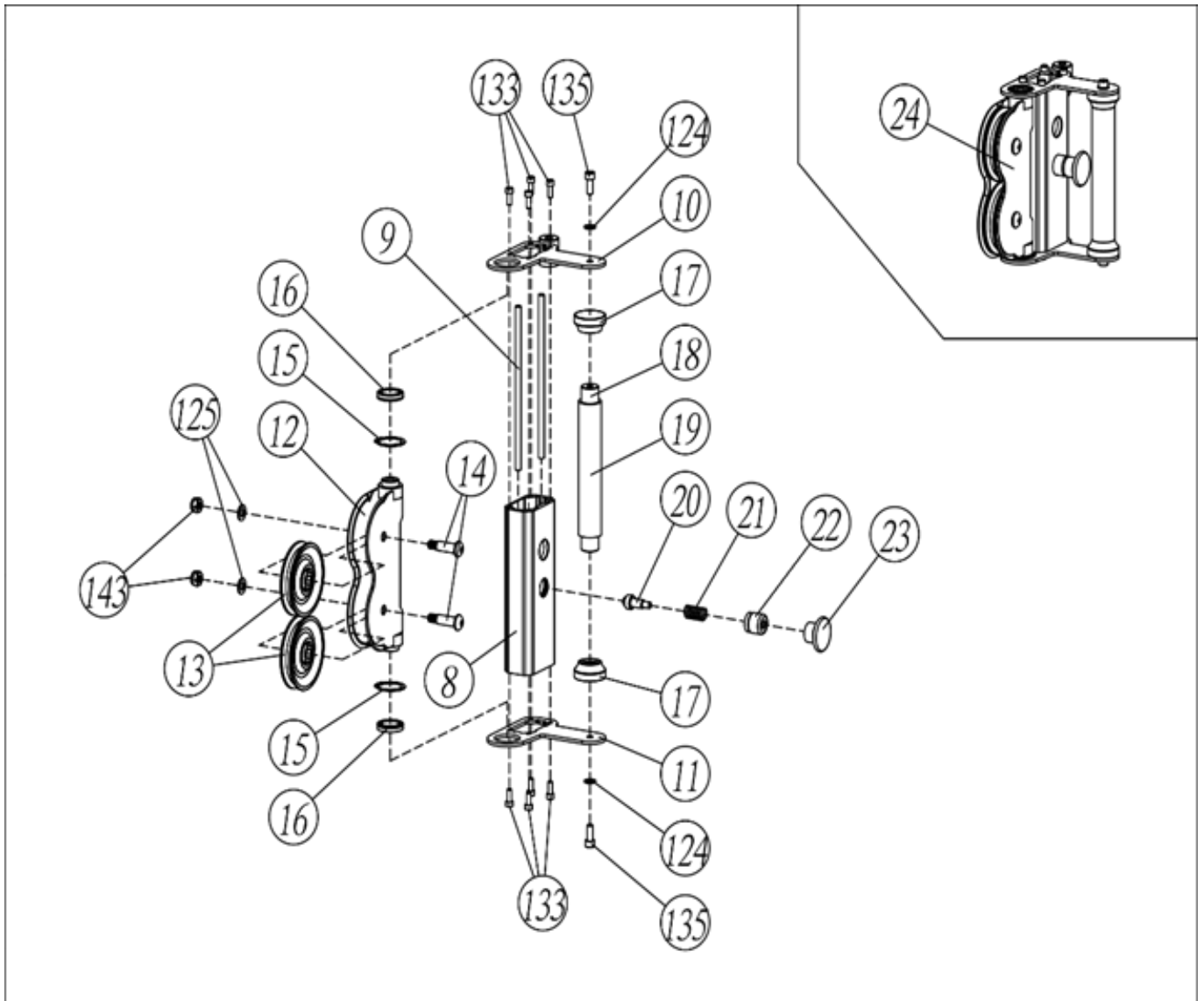
# MegaPlex Upper Bean Assembly

## Step 1:



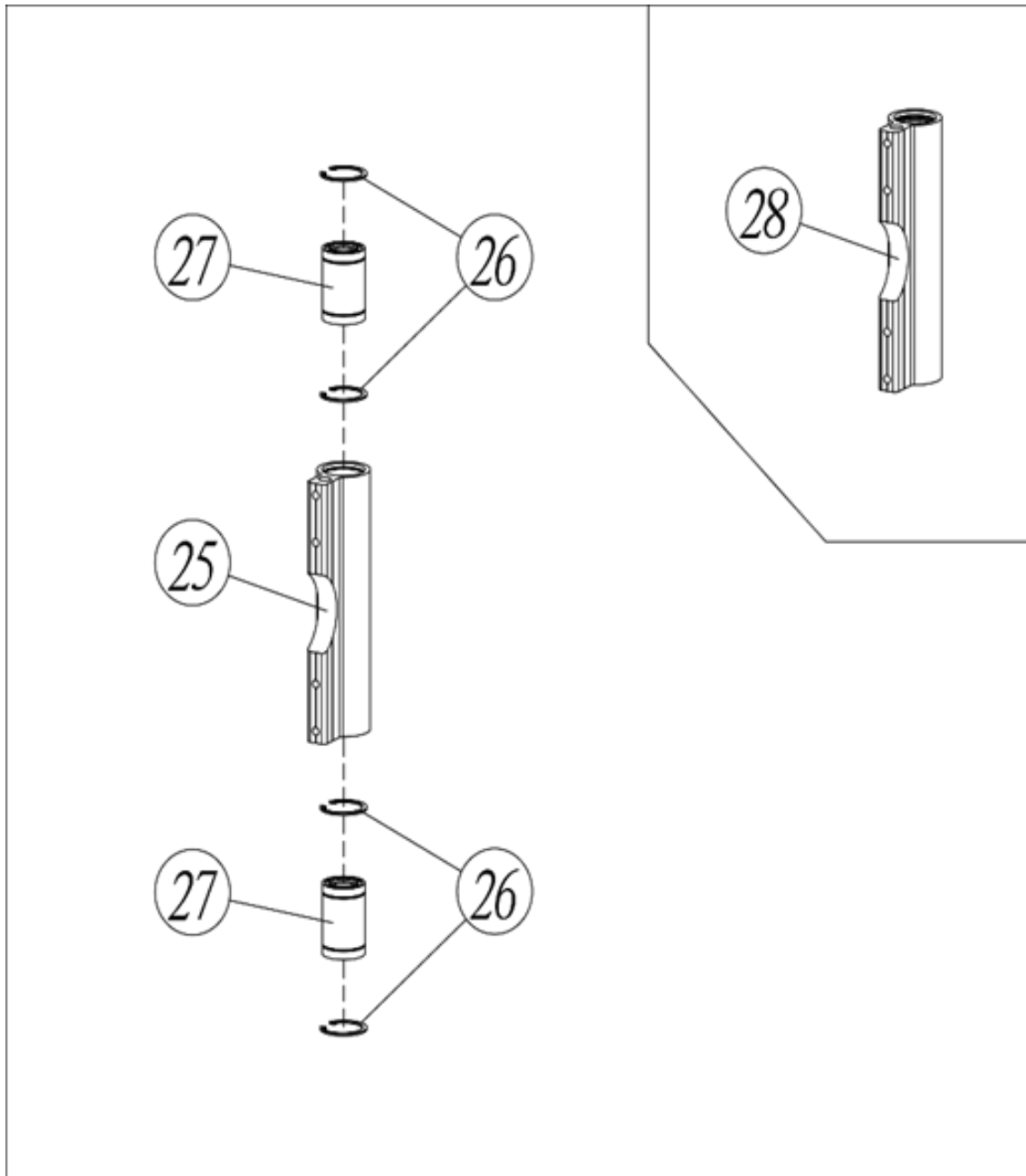
# MegaPlex Slide Reel Assembly

## Step 2:



# MegaPlex Linear Bearing Assembly

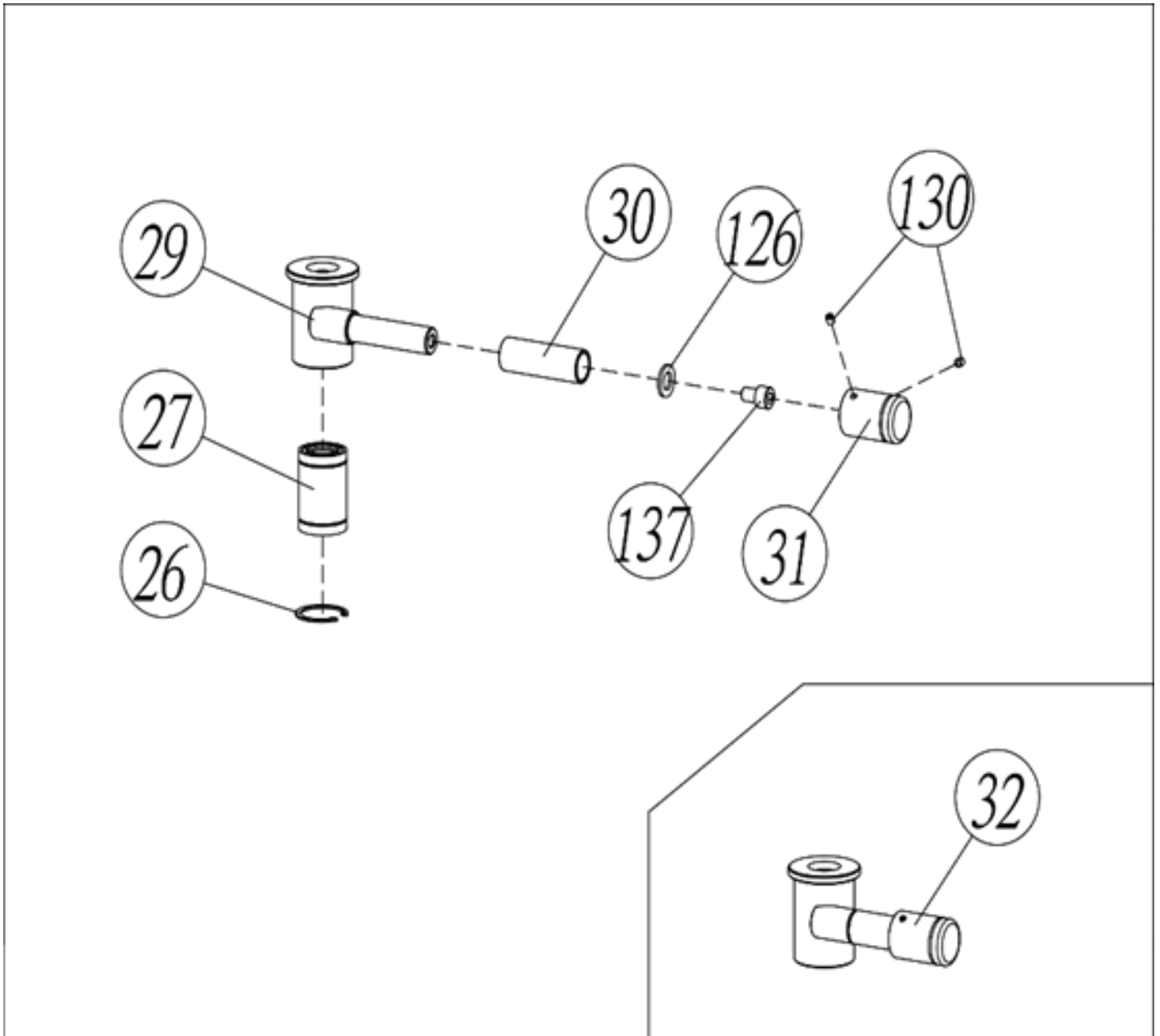
## Step 3:



# MegaPlex

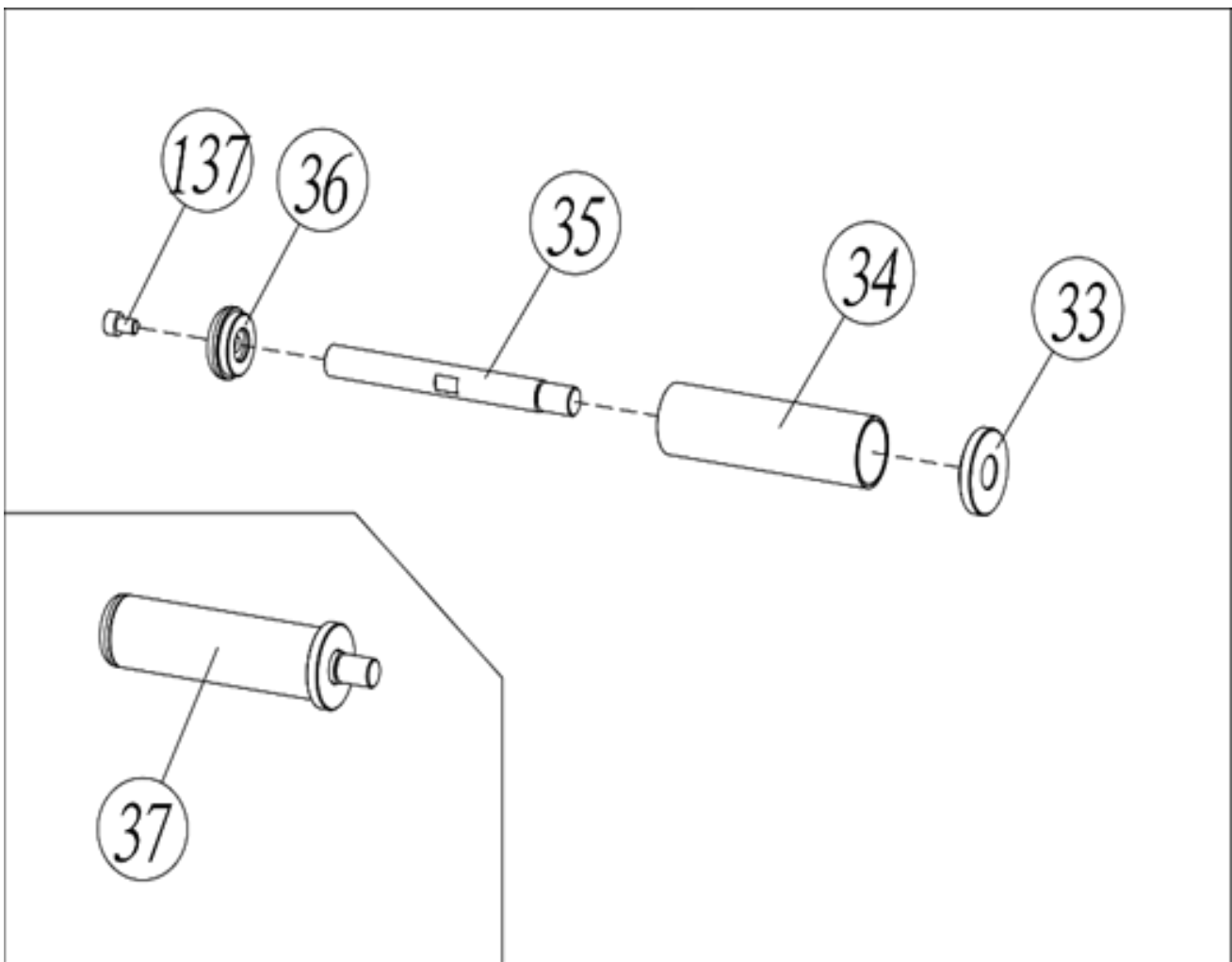
## Left and Right Safety Handle Assembly

### Step 4:



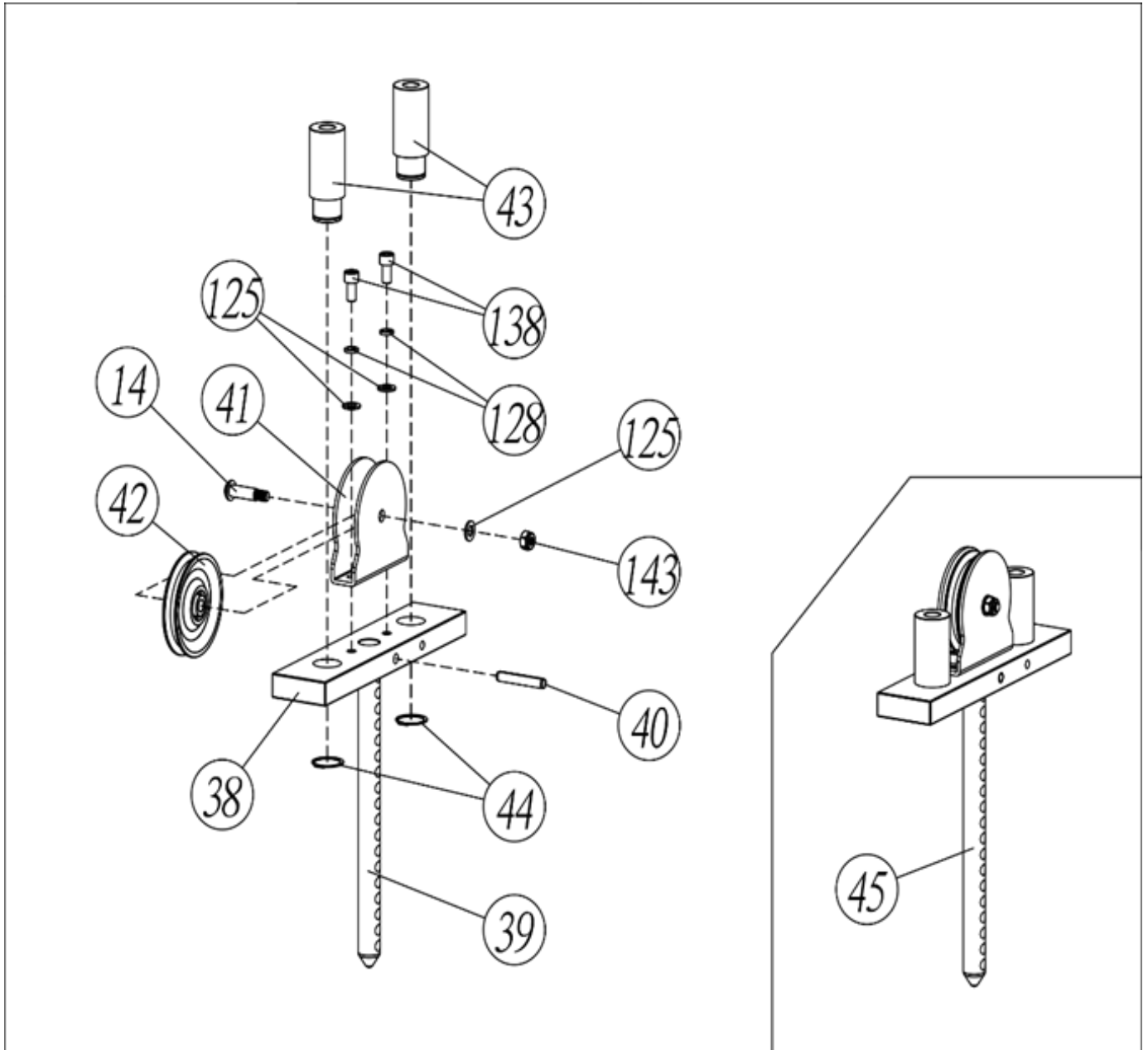
# MegaPlex Universal Sleeve Assembly

## Step 5:



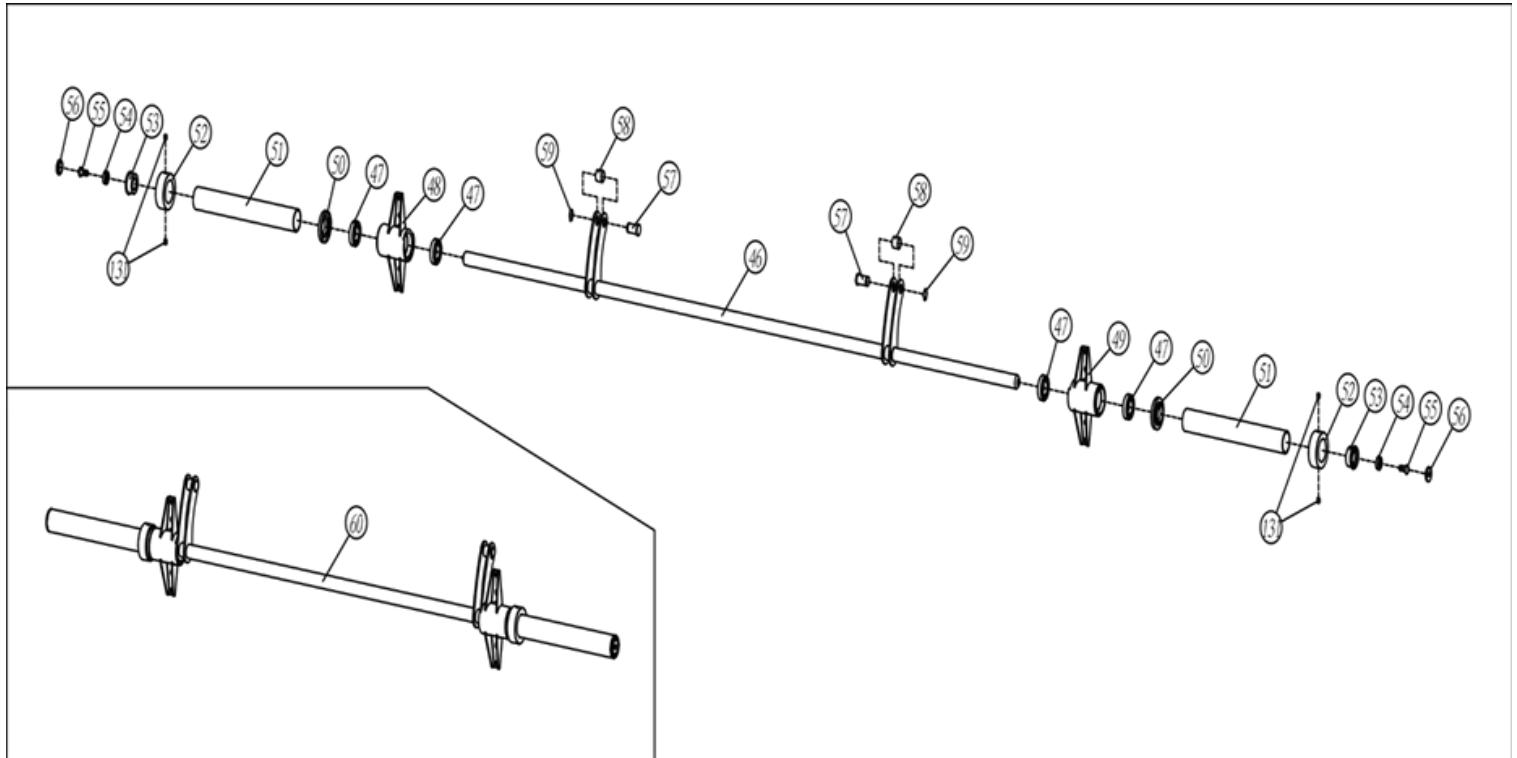
# MegaPlex Guide Head Assembly

## Step 6:



# MegaPlex Barbell Assembly

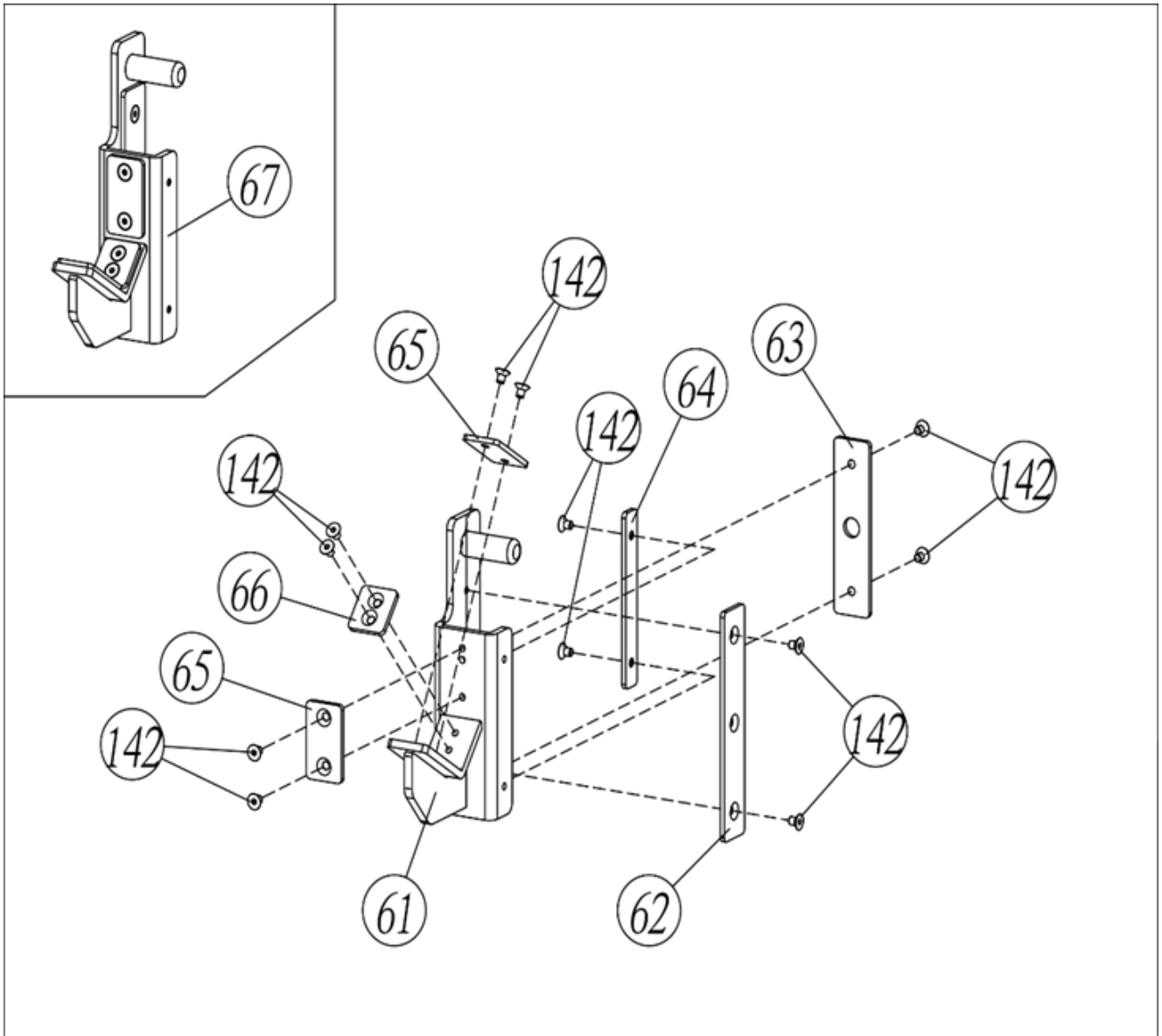
## Step 7:



# MegaPlex

## Left and Right Support Frame (Top) Assembly

### Step 8:

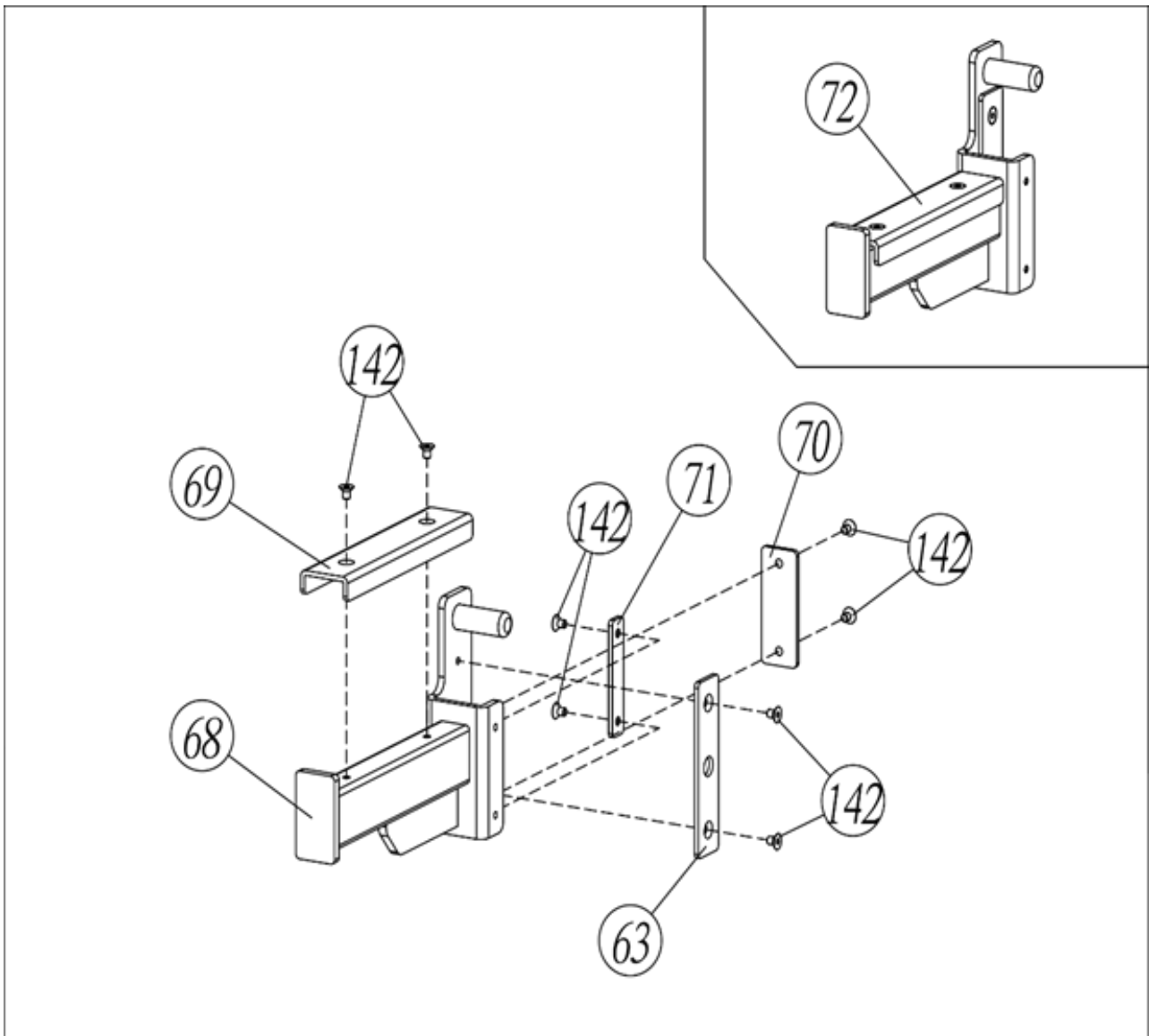




# MegaPlex

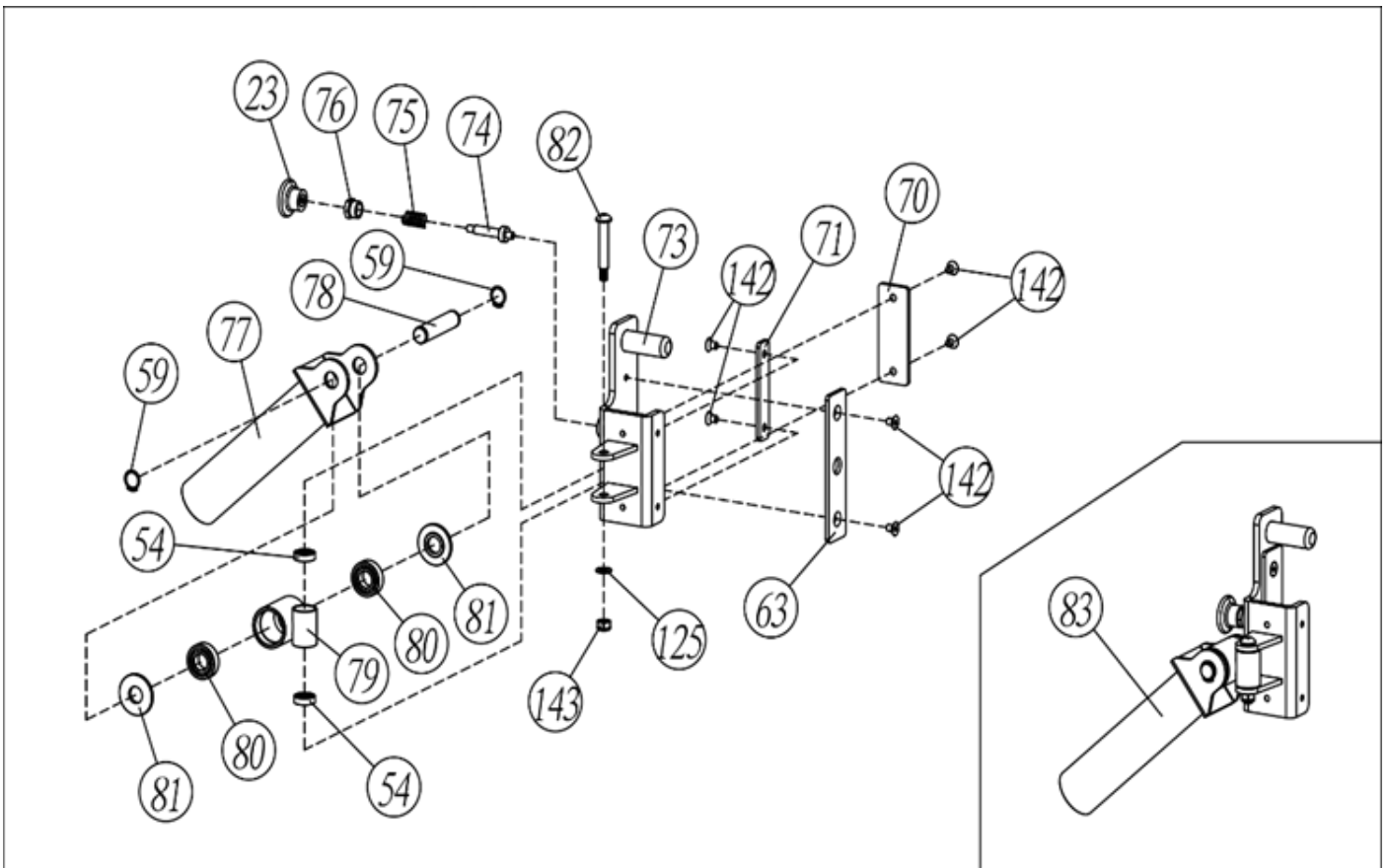
## Left and Right Support Frame (Lower) Assembly

### Step 9:



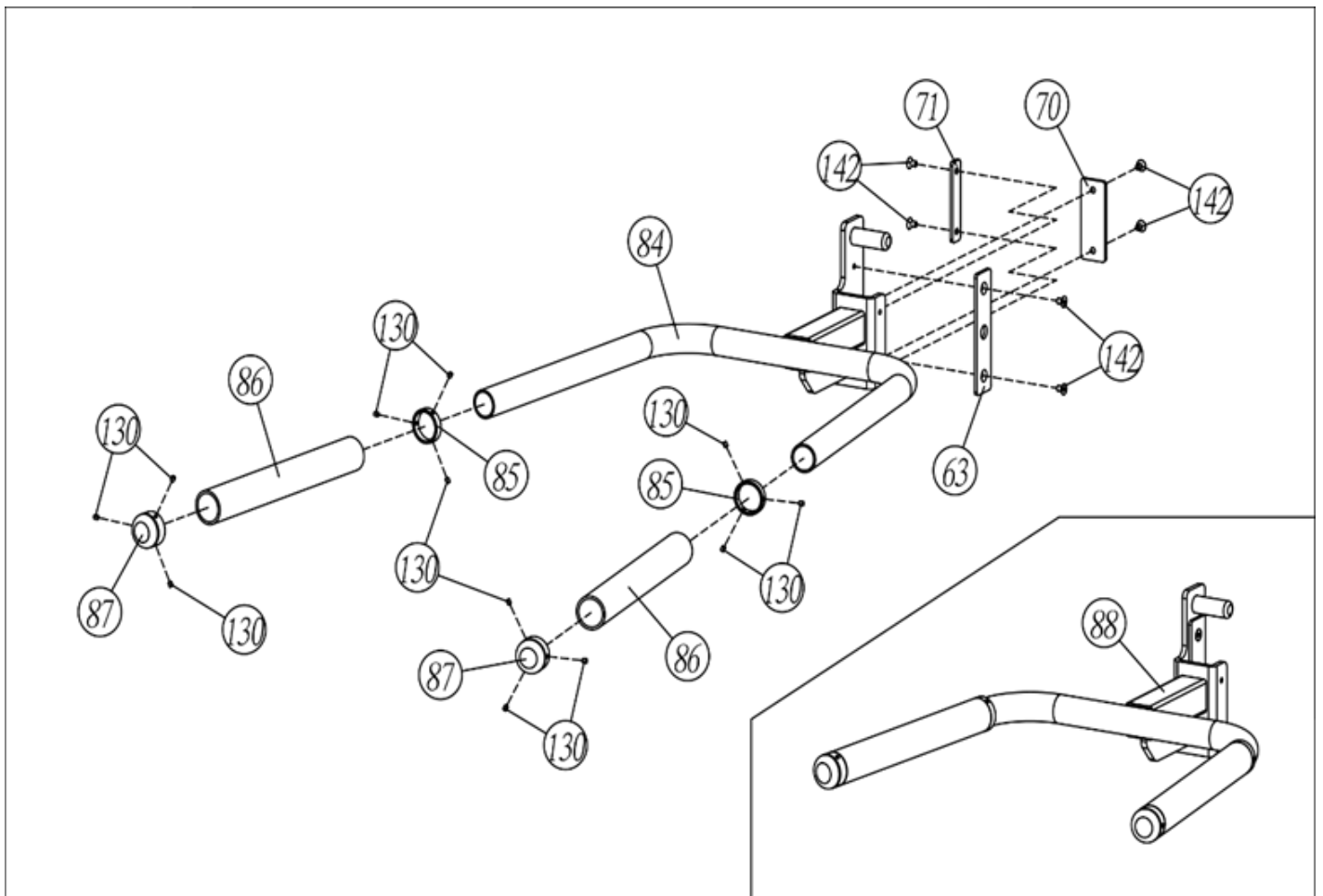
# MegaPlex Landmine Attachment Assembly

## Step 10:



# MegaPlex Dip Bar Assembly

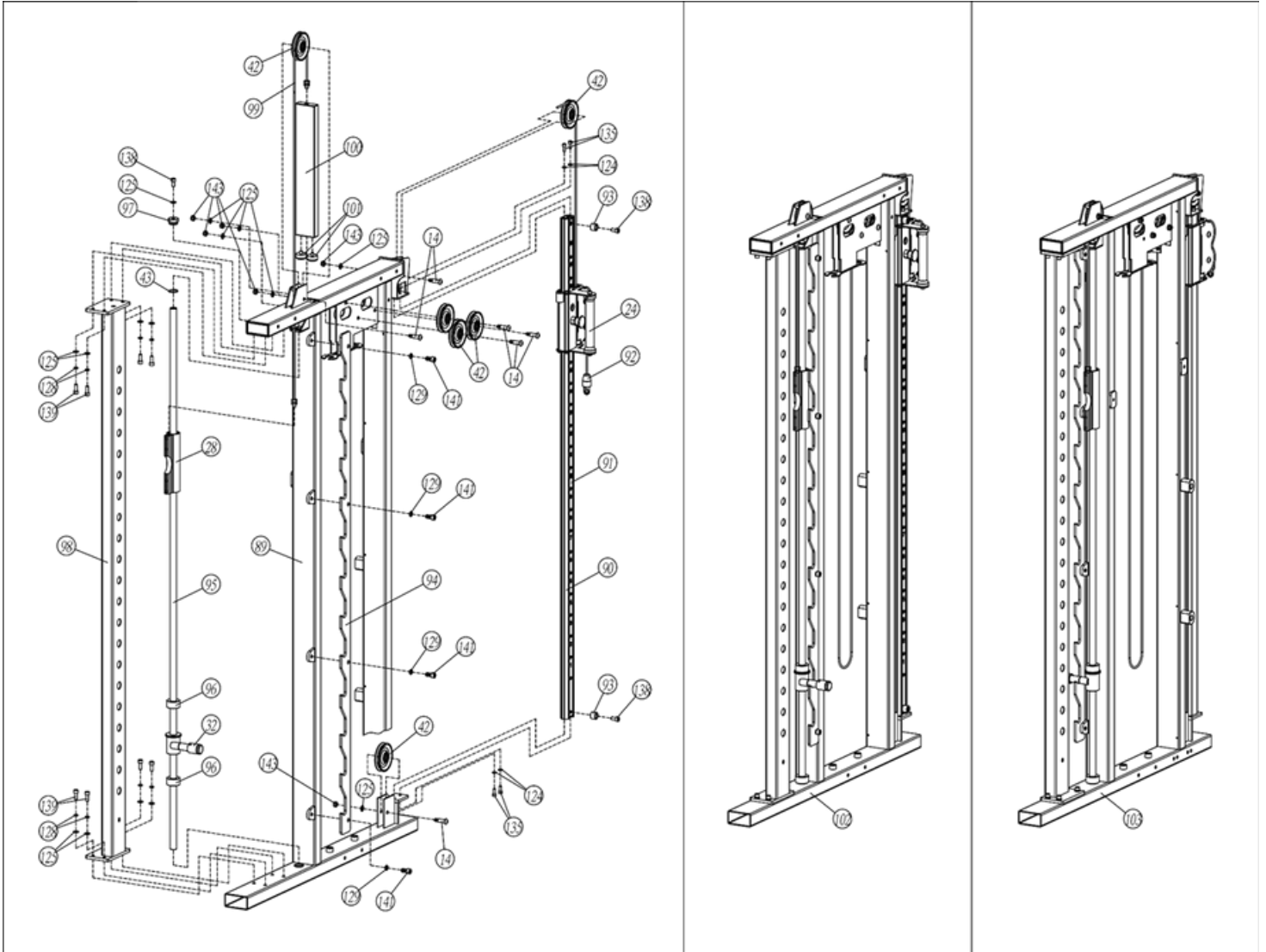
## Step 11:



# MegaPlex

## Left and Right Side Rack Assembly

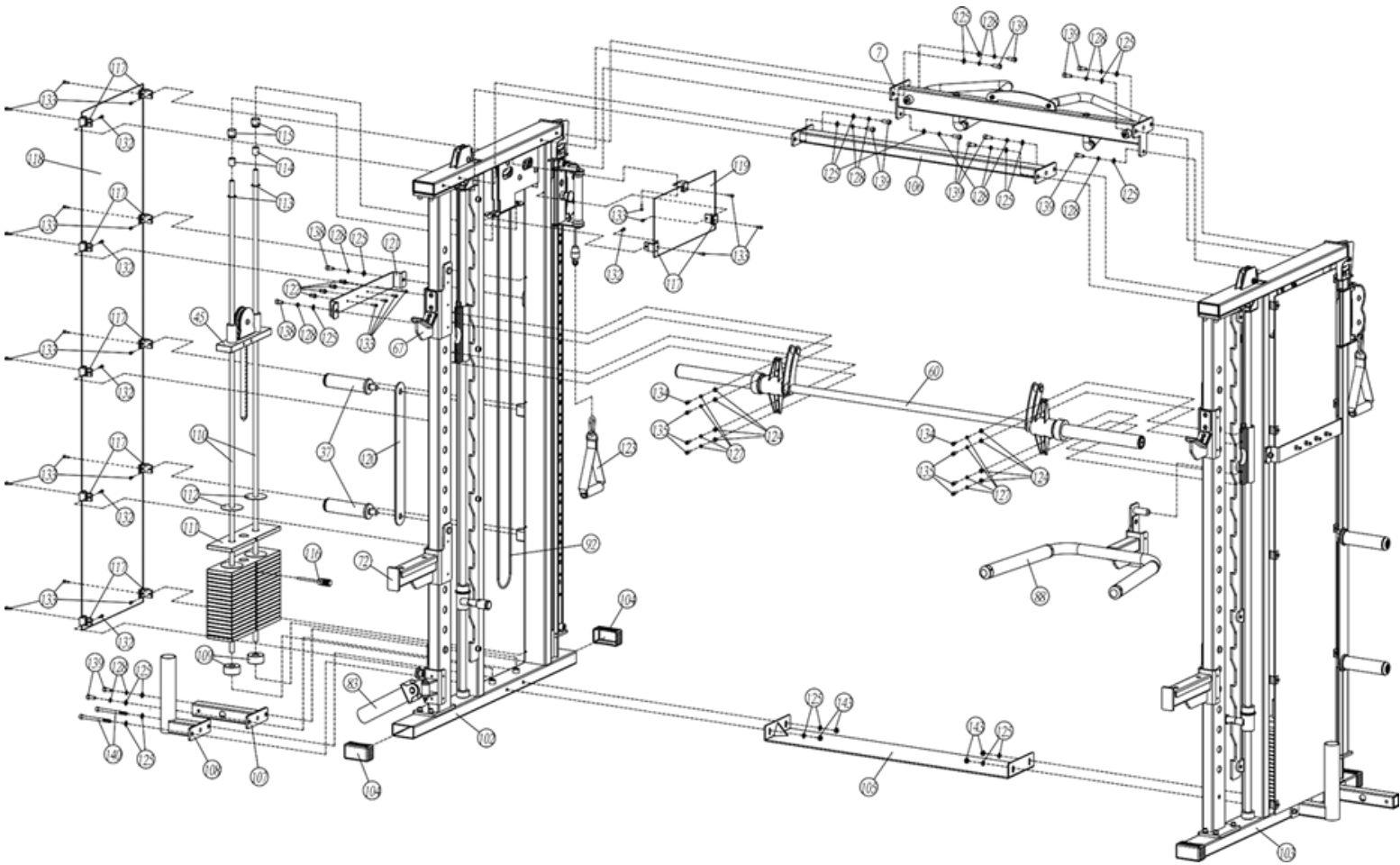
### Step 12:



For installation of the right side rack assembly, refer to the left side rack assembly installation steps

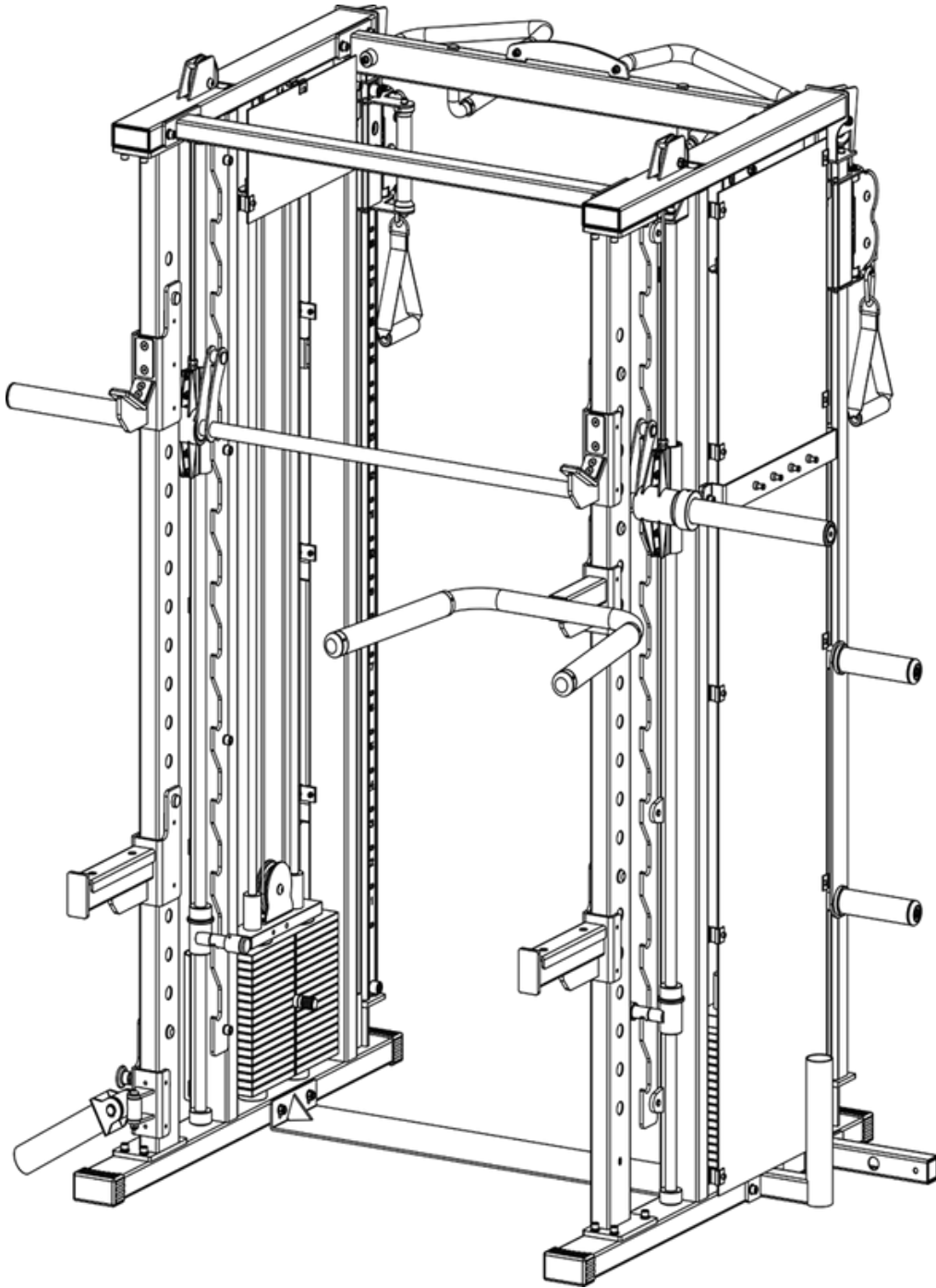
# MegaPlex Integrated Assembly

## Step 13:



# MegaPlex Final Product

## Step 14: Check Functionality, Tighten ALL Bolts



**Have a question about assembly?**



**Please contact a Gym Bro Fitness Team Member!**

**Hours of Operation:**

**Monday-Friday 9:00am - 5:00pm (PST)**

**Saturday 9:00am - 3:00pm (PST)**

**Sunday CLOSED**

**Phone: (662)GYM-BROS**

**Email: [info@gymbrofitness.com](mailto:info@gymbrofitness.com)**

**Visit Our Website: [www.gymbrofitness.com](http://www.gymbrofitness.com)**