



Two Tier Dumbbell Storage Rack ASSEMBLY INSTRUCTIONS



Please take the time to carefully read the instruction manual before starting the process of assembling your machine. If you have any inquiries or complications, please call us at 662-GYM-BROS, or email us at info@gymbrofitness.com.

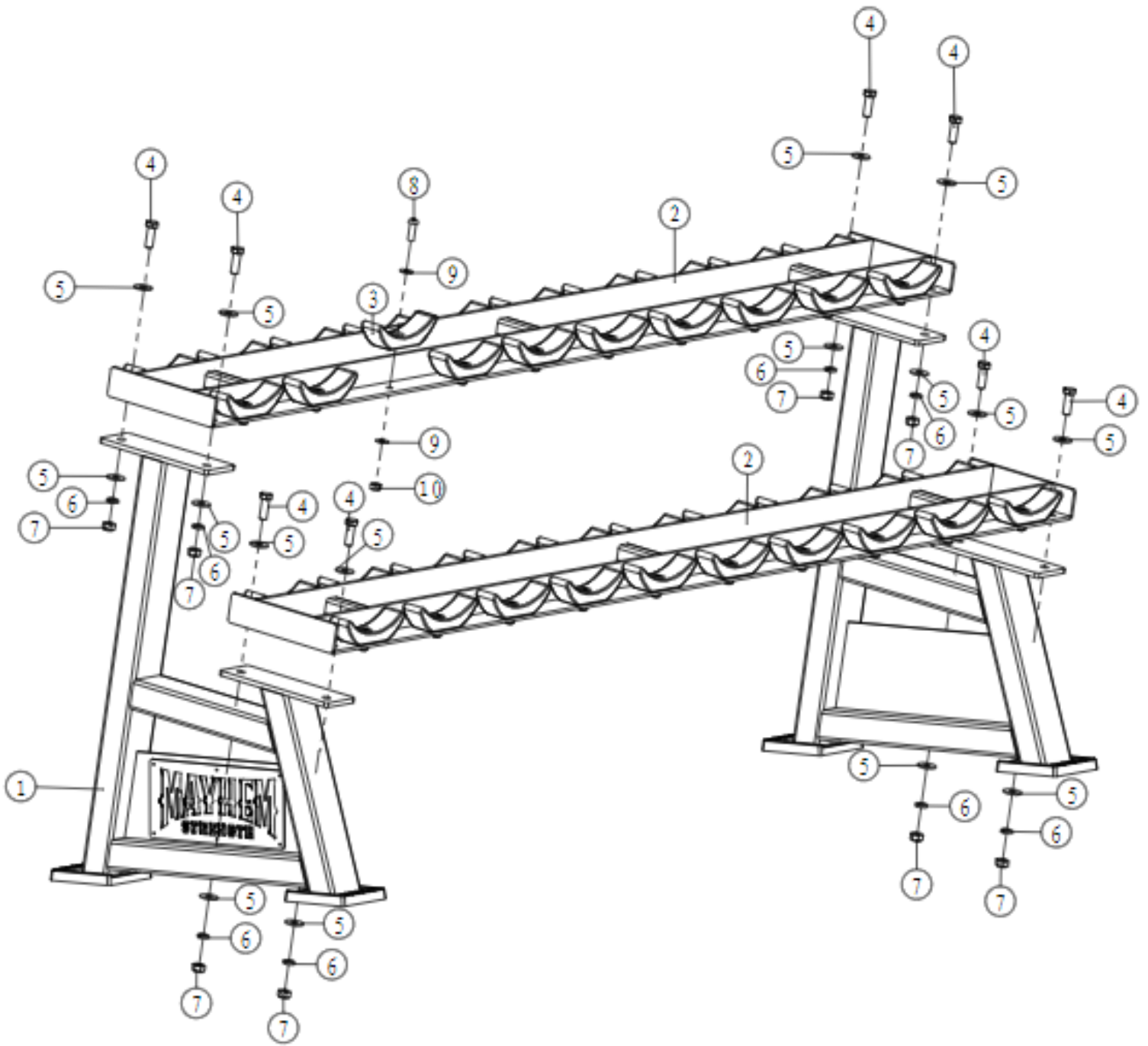
Ensure to tighten all nuts and bolts, lubricate any sliding parts, bearings, and moving mechanisms. We also suggest applying Loctite or any kind of thread locking adhesive to anything that does not thread into a Teflon nut. It is also important to ensure that every movement arm is properly aligned prior to frequent use, and that the machine that you are assembling is fully functional.

Tools Required for Installation:
Rubber Mallet
Level
Ratchet and Socket Set
Snap Ring Pliers
Adjustable Wrench
2 People Required

PARTS/HARDWARE LIST

Part Number	Part Description	Quantity
1	Support Upright	1
2	Support	2
3	Saddle	40
4	Hexagon Head Bolts M12x35	8
5	Plain Washers	16
6	Spring Lock Washers	8
7	Hexagon Nuts M12	8
8	Hexagon Socket Button Head Screws M10x30	40
9	Plain Washers	80
10	Hexagon Nuts M10	40

Frame Assembly



Have a question about assembly?



Please contact a Gym Bro Fitness Team Member!

Hours of Operation:

Monday-Friday 9:00am - 5:00pm (PST)

Saturday 9:00am - 3:00pm (PST)

Sunday CLOSED

Phone: (662)GYM-BROS

Email: info@gymbrofitness.com

Visit Our Website: www.gymbrofitness.com